

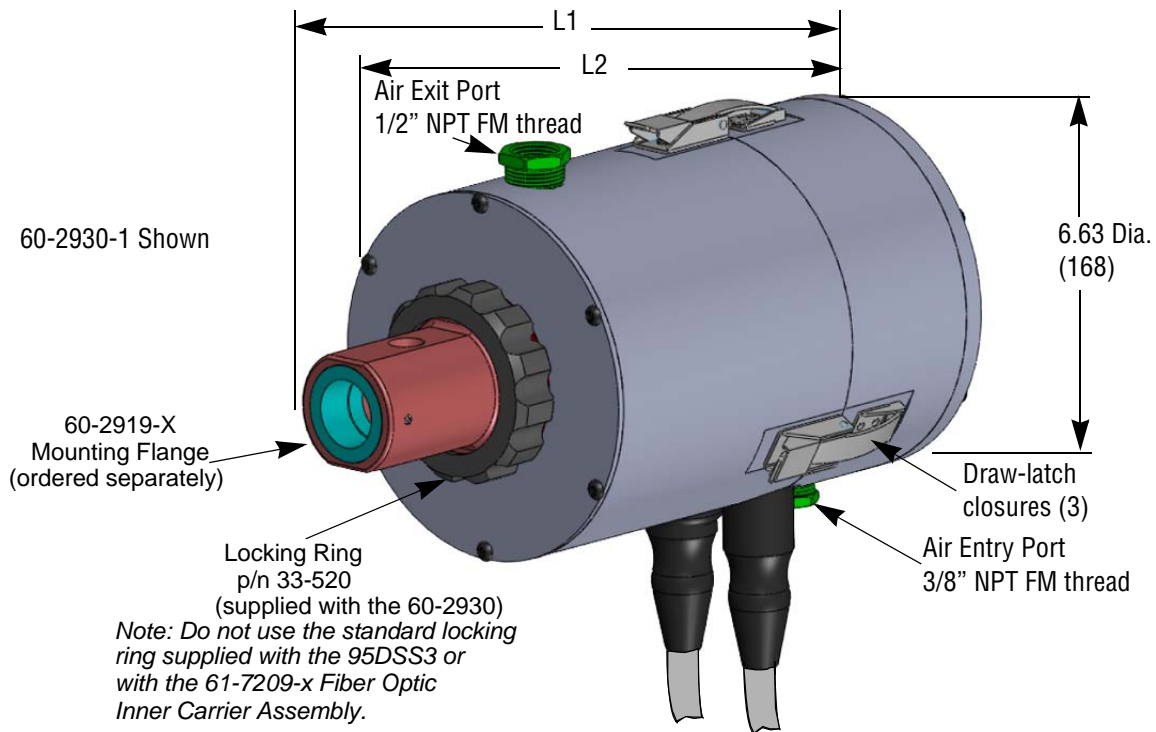
Cooling Cover

P/N 60-2930-1 for InSight II

P/N 60-2930-2 for InSight II CEX

Description

In high ambient temperature applications, cooling air applied to the 3/8" tapping on the InSight II scanner's mounting flange may be unable to maintain the scanner's temperature below its published limit. An effective solution may be to install the scanner in a Cooling Cover and air purge the space between the cover and the scanner. Either compressed air or the chilled air output of a Vortex Tube Kit (Fireye p/n 60-2720) may be attached to the Cooling Cover's 3/8" NPT female Air Entry Port and will exit through the Cooling Cover's 1/2" NPT Air Exit Port. A porous bronze exhaust muffler fitting is provided for installation into the 1/2" exit port (not shown).



59-546-xx cable &
59-547-xx cable
(ordered separately for 95DSS3-1)

P/N	For use with	L1	L2
60-2930-1	95DSS3-1	12.6 (320)	9.2 (234)
60-2930-2	95DSS3-1CEX	13.5 (343)	10.1 (257)

MATERIAL: Gray CPVC
DIMENSIONS: Inch/MM