



WIRING AND INSTALLATION INSTRUCTIONS SB SERIES Remote Display, Model SB510

This diagram is provided for general reference only, and can also be extended to the sbSeries No-Purge and Modulation models. Local codes and your application will determine the actual wiring requirements. Refer to bulletin SB-2301 for details on the sbSeries and the messages displayed. If the keypad-reset function is not required, bypass the connections to R1 and R2 of the display so that terminal 1 of the sbSeries is supplied by the power switch.

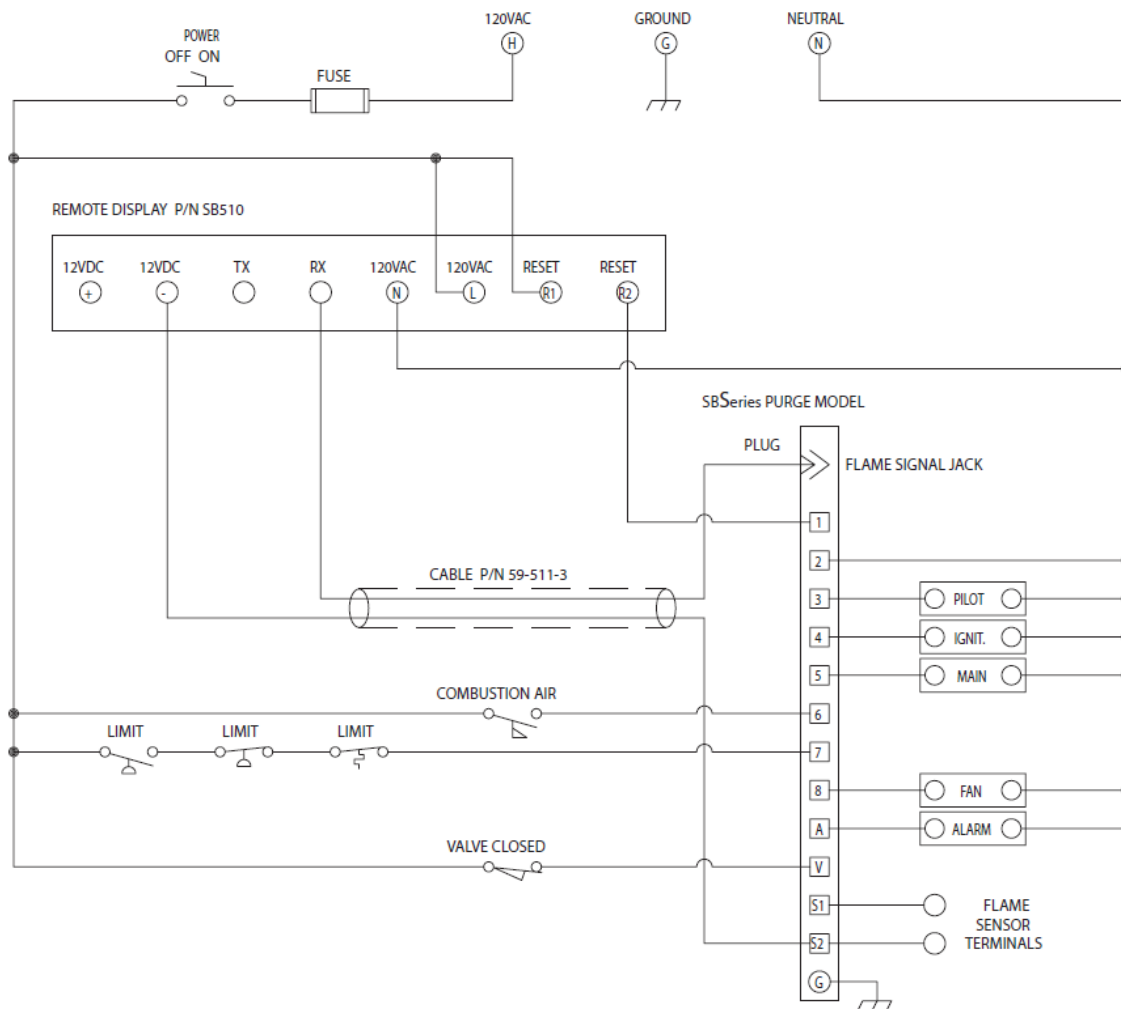
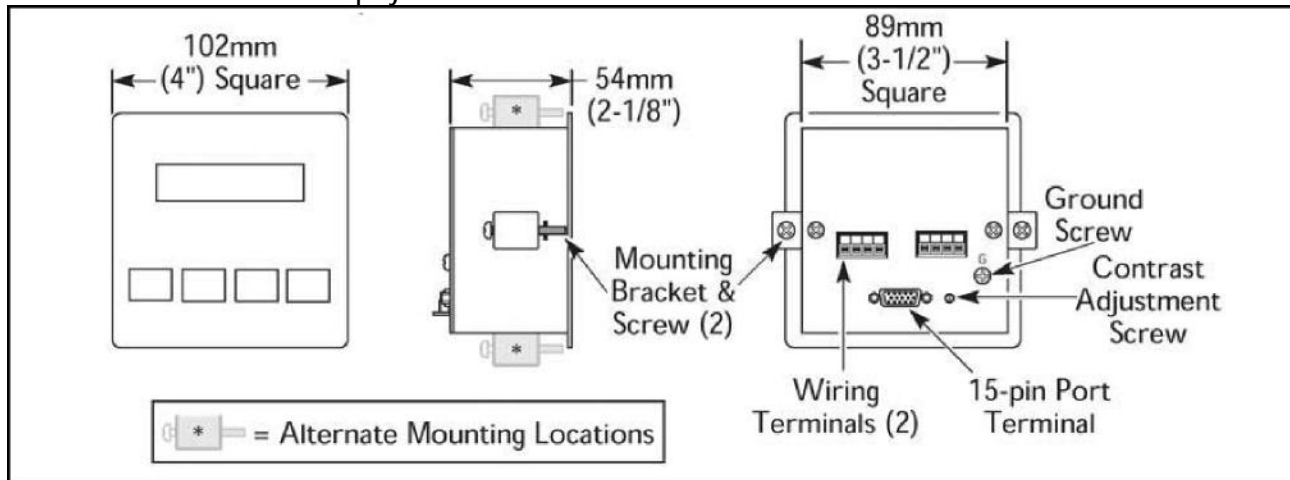




FIGURE 1. Remote Display Model Number SB510



NOTICE

When Fireeye products are combined with equipment manufactured by others and/or integrated into systems designed or manufactured by others, the Fireeye warranty, as stated in its General Terms and Conditions of Sale, pertains only to the Fireeye products and not to any other equipment or to the combined system or its overall performance.

WARRANTIES

FIREYE guarantees for *one year from the date of installation or 18 months from date of manufacture* of its products to replace, or, at its option, to repair any product or part thereof (except lamps, electronic tubes and photocells) which is found defective in material or workmanship or which otherwise fails to conform to the description of the product on the face of its sales order. **THE FOREGOING IS IN LIEU OF ALL OTHER WARRANTIES AND FIREYE MAKES NO WARRANTY OF MERCHANTABILITY OR ANY OTHER WARRANTY, EXPRESS OR IMPLIED.** Except as specifically stated in these general terms and conditions of sale, remedies with respect to any product or part number manufactured or sold by Fireeye shall be limited exclusively to the right to replacement or repair as above provided. In no event shall Fireeye be liable for consequential or special damages of any nature that may arise in connection with such product or part.



FIREYE
3 Manchester Road
Derry, New Hampshire 03038 USA
www.fireeye.com

SB-5101
January 20, 2020
Supersedes JULY 6, 2007

