

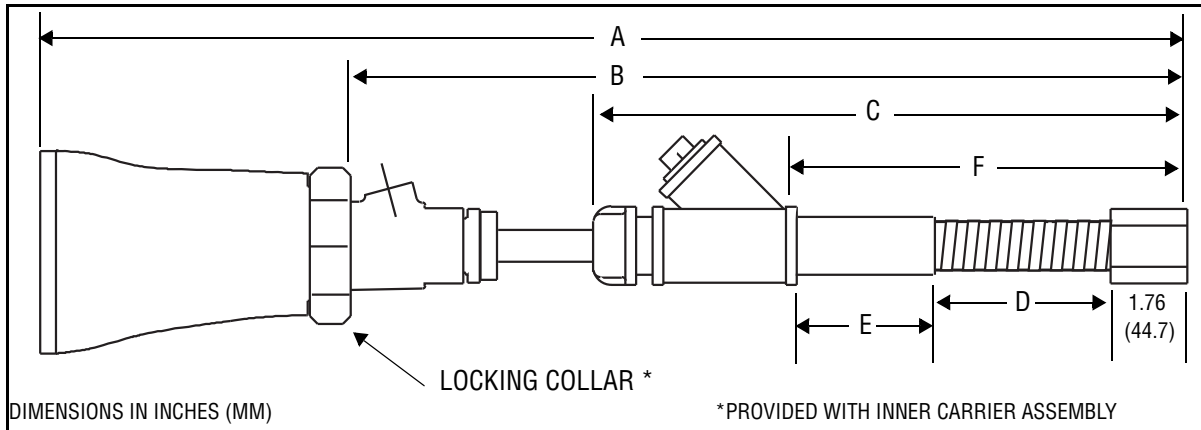


FIREYE Inc.  
 3 Manchester Road  
 Derry, NH 03038 USA  
 Tel: (603) 432-4100

## InSight Fiber Optic Flame Scanners Errata Sheet # 133-720

This errata sheet documents the dimensions of the 6.5 foot fiber optic inner and outer carrier assemblies for use with the 95-Series InSight scanners. Refer to bulletin CU-101 for complete installation instructions for the fiber optics assembly. Refer to bulletin CU-95 for complete set-up instructions for the 95-Series InSight scanner electronics.

**FIGURE 1. DIMENSIONS - SCANNER WITH FIBER OPTIC INNER AND OUTER CARRIERS**



NOMINAL LENGTH *	A	B	C	D	E	F
FEET (Meters)	INCHES (MM)					
6.5 (1.8)	86.8 (2205)	79.7 (2024)	73.9 (1877)	35.4 (900)	31.5 (800)	68.7 (1744)

\*Note: The "Nominal Length" refers to the approximate length of the overall assembly, including the installed electronics. Refer to dimensions "A" through "F" to determine the nominal length that best suits your application.

OUTER CARRIER ASSEMBLY (Use with Glass or Quartz)		GLASS INNER CARRIER ASSEMBLY	QUARTZ INNER CARRIER ASSEMBLY
NOMINAL LENGTH* feet (meters)	PART NUMBER	PART NUMBER	PART NUMBER
6.5 (1.8)	61-4893-2	—	61-7080-6.5

REPLACEMENT PARTS		
FIBER OPTIC BUNDLE	GLASS BUNDLE	QUARTZ BUNDLE
NOMINAL LENGTH * feet (meters)	PART NUMBER	PART NUMBER
6.5 (1.8)	—	61-6872-6A
LENS ASSEMBLY	WITH GLASS LENS	WITH QUARTZ LENS
LENS SKEW	PART NUMBER	PART NUMBER
0 deg. skew	—	61-6754 ("AA")
5 deg. skew	—	61-6864 ("AB")
9 deg. skew	—	61-6864 ("AB")

*\*NOTE: The "Nominal Length" refers to the approximate length of the overall assembly, including the installed electronics. Refer to dimensions "A" through "F" to determine the nominal length that best suits your application.*