






MODERNIZATION ADAPTER PFM9

The 60-2060-9 Modernization Adapter assists with the replacement of CB1 Programming Controls using infrared flame detection with the solid state modular Flame Monitor Burner Management Control System

PFM9R Modernization Adapter Kit					
Replaces	Control Unit	Display Module	Programmer Module	Amplifier Module	Scanner
CB1	E110	ED510	EP260	E1R1	REPLACE SCANNER CELL WITH 4-263 OR USE 48PT2
					
The Standard PFM9 Modernization Kit contains the following:			The E110 consists of:		
E110 Control (120V 50/60 Hz) ED510 Display Module EP260 Programmer Module E1R1 Amplifier Module 4-263 Firetron Cell and label 60-2060-9 Adapter			EB700 Chassis EC600 Dust Cover 48-1836 Mounting Screw		

NOTE: The original enclosure wiring terminal board may have been exposed to oil, moisture, dirt, etc. which could be absorbed by the board and cause leakage current across signal terminals 14 and 15. Leakage current will cause a false signal to be generated. It may be advisable to re-wire using wiring base 60-1466-2 or 60-1386-2.



CAUTION: Installer must be a trained safety control technician. Verify that electrical power is disconnected before starting installation.

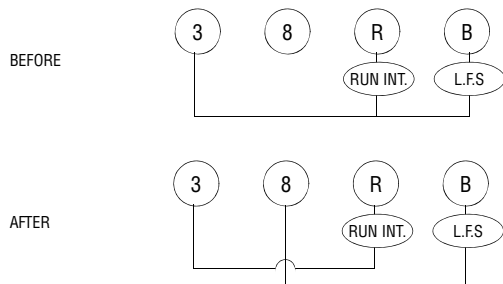
1. Loosen the two chassis retaining screws and remove the chassis from its enclosure. Note the chassis type and model number.



4. Assemble the control and modules and install the unit into the Modernization Adapter. Tighten the chassis retainer.



2. **Wiring Changes:** It is necessary to isolate the running interlock (air flow switch) from the low fire start switch. After isolating the circuits, reconnect the low fire start switch between B and 8 and running interlock between R and 3 on CB-1 terminal board. See Figure 1.



5. Replace the Firetron cell in the scanner with the #4-263 Firetron cell.



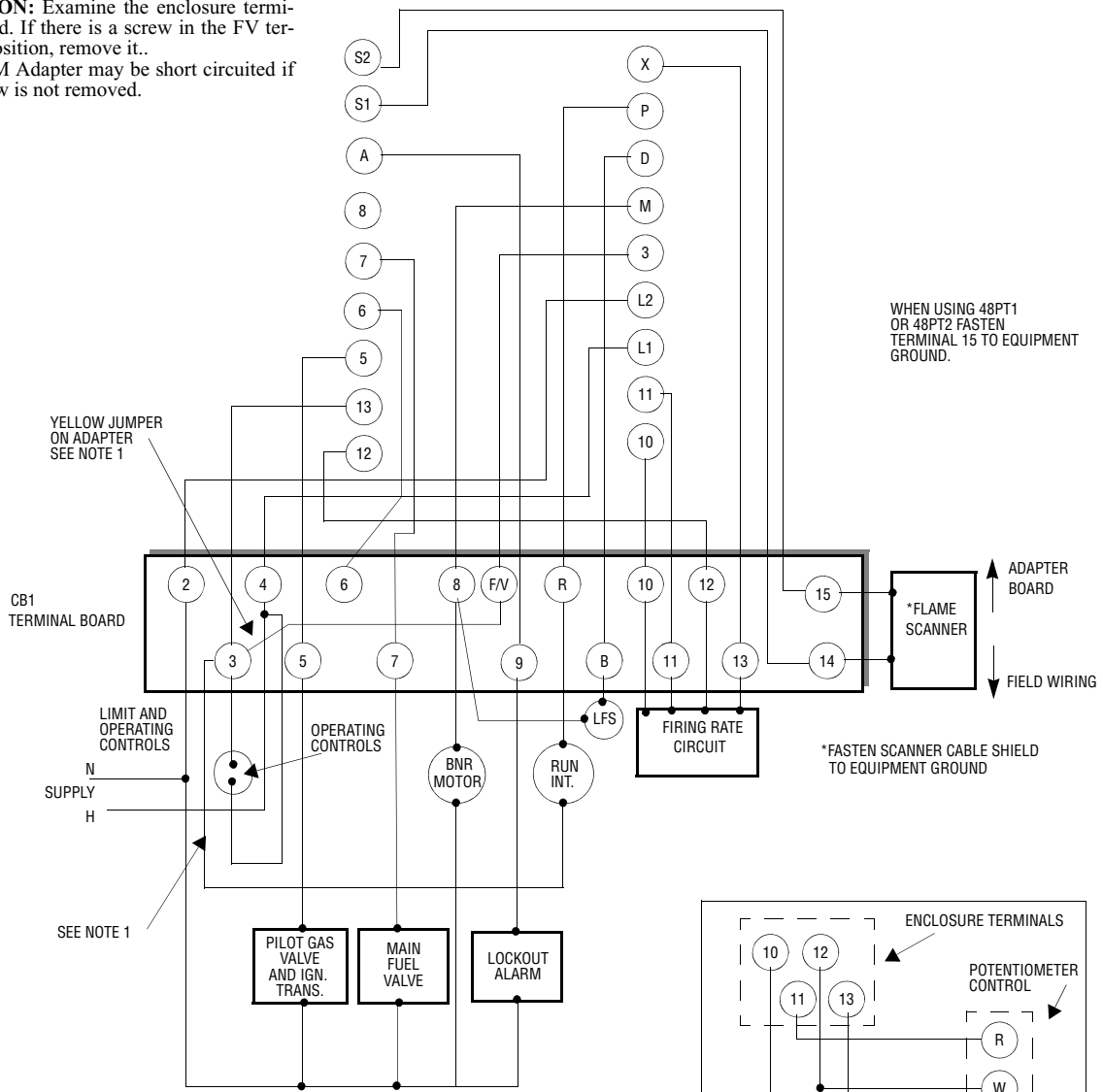
3. Note the typical diagrams figure for complete information. Install the Modernization Adapter and tighten the two retaining screws.



6. Referring to bulletin EP-2601 turn the power on. Initiate a normal burner start-up and operational test as described for the control unit EP260.

TYPICAL CIRCUIT DIAGRAM FOR MODERNIZING A CB1 CONTROL INSTALLATION WITH A 60-2060-9 ADAPTER

CAUTION: Examine the enclosure terminal board. If there is a screw in the FV terminal position, remove it. The PFM Adapter may be short circuited if the screw is not removed.



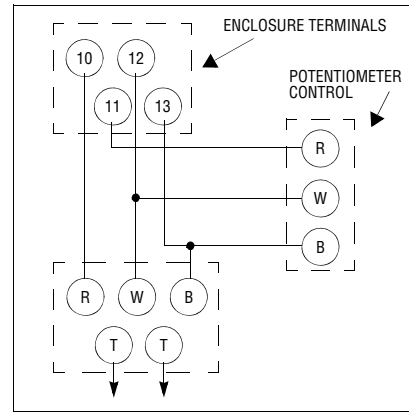
WHEN USING 48PT1 OR 48PT2 FASTEN TERMINAL 15 TO EQUIPMENT GROUND.

*FASTEN SCANNER CABLE SHIELD TO EQUIPMENT GROUND

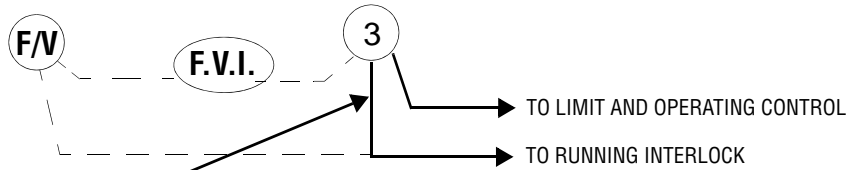
YELLOW JUMPER ON ADAPTER SEE NOTE 1

LIMIT AND OPERATING CONTROLS
N SUPPLY
H

SEE NOTE 1



NOTE 1:
With "PROOF OF CLOSURE" INTERLOCK (F.V.I. -Fuel Valve Interlock) added, REMOVE yellow wire jumper between terminal 3 and F/V on 60-2060-9 Adapter.



MOVE THIS WIRE FROM TERMINAL 3 THAT IS COMMON TO THE RUN INTERLOCK (AFS) AND INSTALL ON TERMINAL F/V.
WIRE F.V.I BETWEEN TERMINALS F/V AND 3 AS SHOWN.



NOTICE

When Fireeye products are combined with equipment manufactured by others and/or integrated into systems designed or manufactured by others, the Fireeye warranty, as stated in its General Terms and Conditions of Sale, pertains only to the Fireeye products and not to any other equipment or to the combined system or its overall performance.

WARRANTIES

FIREYE guarantees for *one year from the date of installation or 18 months from date of manufacture* of its products to replace, or, at its option, to repair any product or part thereof (except lamps, electronic tubes and photocells) which is found defective in material or workmanship or which otherwise fails to conform to the description of the product on the face of its sales order. **THE FOREGOING IS IN LIEU OF ALL OTHER WARRANTIES AND FIREYE MAKES NO WARRANTY OF MERCHANTABILITY OR ANY OTHER WARRANTY, EXPRESS OR IMPLIED.** Except as specifically stated in these general terms and conditions of sale, remedies with respect to any product or part number manufactured or sold by Fireeye shall be limited exclusively to the right to replacement or repair as above provided. In no event shall Fireeye be liable for consequential or special damages of any nature that may arise in connection with such product or part.



TM FIREYE
3 Manchester Road
Derry, New Hampshire 03038 USA
www.Fireeye.com

PFM-9
JUNE 17, 2005
Supersedes April 2002

 A Kidde Company
