



MODERNIZATION ADAPTER #60-2060-14

Fireeye Modernization Adapter 60-2060-14 assists with the replacement of Fireeye 26RJ8 Models listed below using infra-red flame detection with new solid state modular Fireeye FLAME-MONITOR | Burner Management control.

THE FOLLOWING MODELS OF CONTROL 26RJ8 CAN EASILY BE REPLACED BY USING A PFM-14 ADAPTER

- | | | |
|---------------------------|---------------------------|---------------------------|
| 26RJ8-5936(T): See Page 2 | 26RJ8-5873(T): See Page 4 | 26RJ8-5876(T): See Page 4 |
| 26RJ8-5871(T): See Page 3 | 26RJ8-5874(T): See Page 4 | 26RJ8-5877(T): See Page 5 |
| 26RJ8-5872(T): See Page 3 | 26RJ8 5875(T): See Page 4 | 26RJ8-5878(T): See Page 5 |

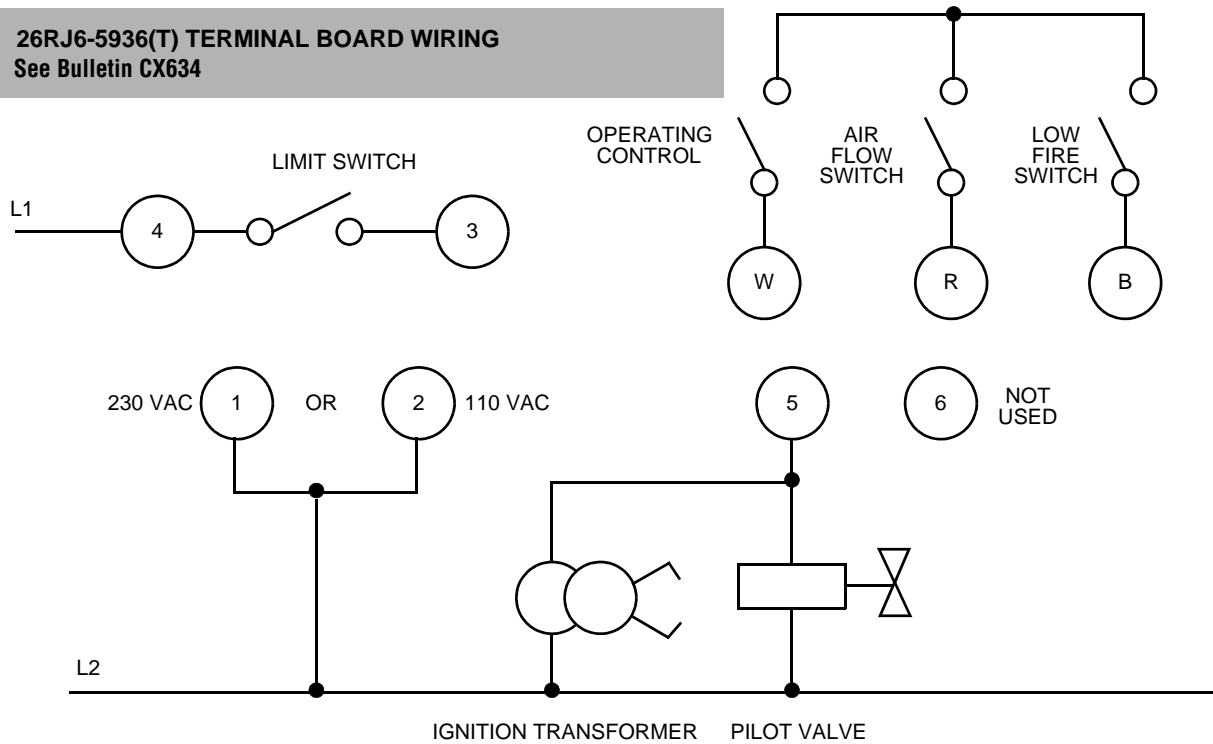
NOTE: Also types 25RU8 models 5872/5873/587/5875/5876/5878 can be replaced with the above described system. Consult factory if such a control must be replaced.

TO REPLACE A 26RJ8 CONTROL BY A FLAME-MONITOR ORDER:

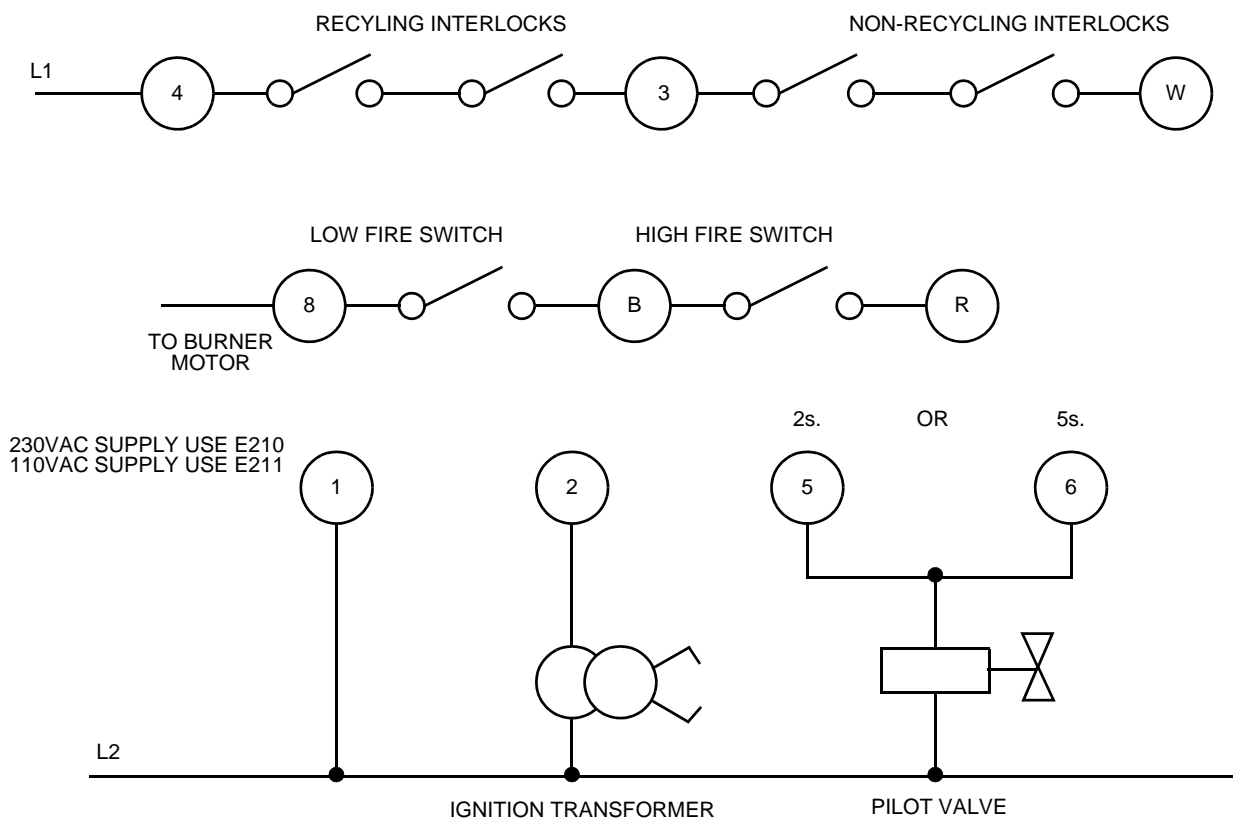
Control: E210 for 230 VAC consists of:	E211 for 110 VAC Consists of:	Programmer Module	Amplifier Module	PFM Adapter	Firetron Cell.
EB720 Chassis	EB721 Chassis	EP113(E) English text	E1R3	#60-2060-14	#4-263-1
ED510 Display Module	ED510 Display Module	EP113(F) French text			
EC600 Dust Cover	EC600 Dust Cover	EP113(D) German text			
		EP113(ES) Spanish text			
		EP113(SW) Swedish text			
		EP113(NL) Dutch text			

Note: The original enclosure wiring terminal board may have been exposed to oil, moisture dirt etc. which could be absorbed by the board and cause leakage current across signal terminals 14 and 15. Leakage current will cause a false signal to be generated. Enclosure terminal board 61-4296 (For multivoltage controls) is available for replacement of the old terminal board. Refer to Bulletin E-2101 for more information about the FLAME-MONITOR system.

26RJ6-5936(T) TERMINAL BOARD WIRING
See Bulletin CX634

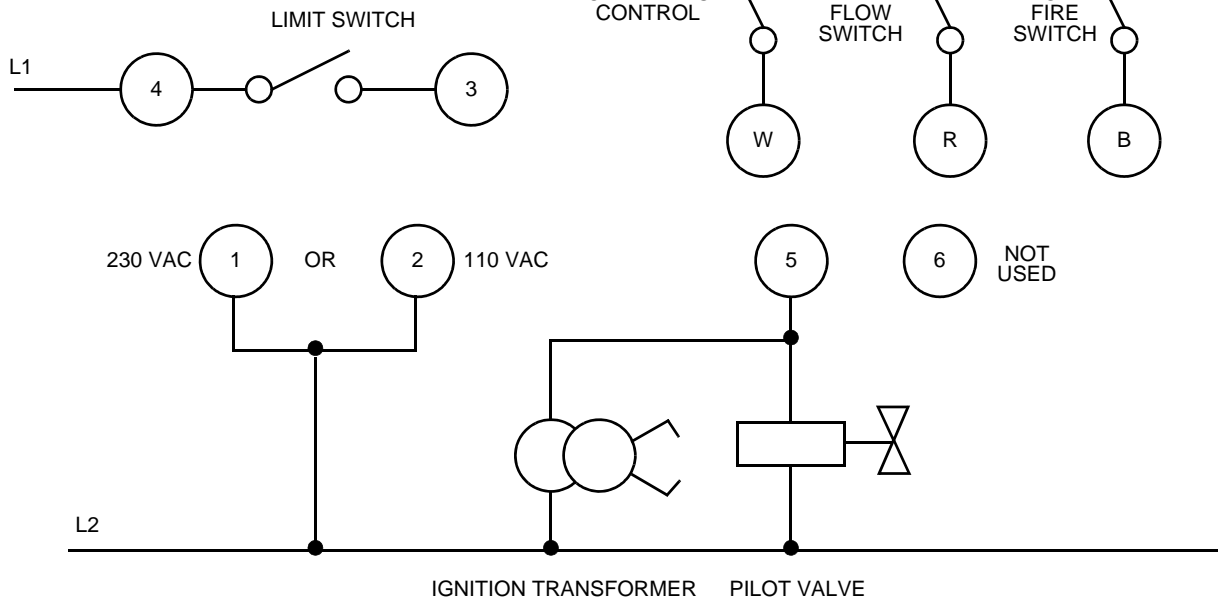


REWIRING TO FLAME-MONITOR E210/E211

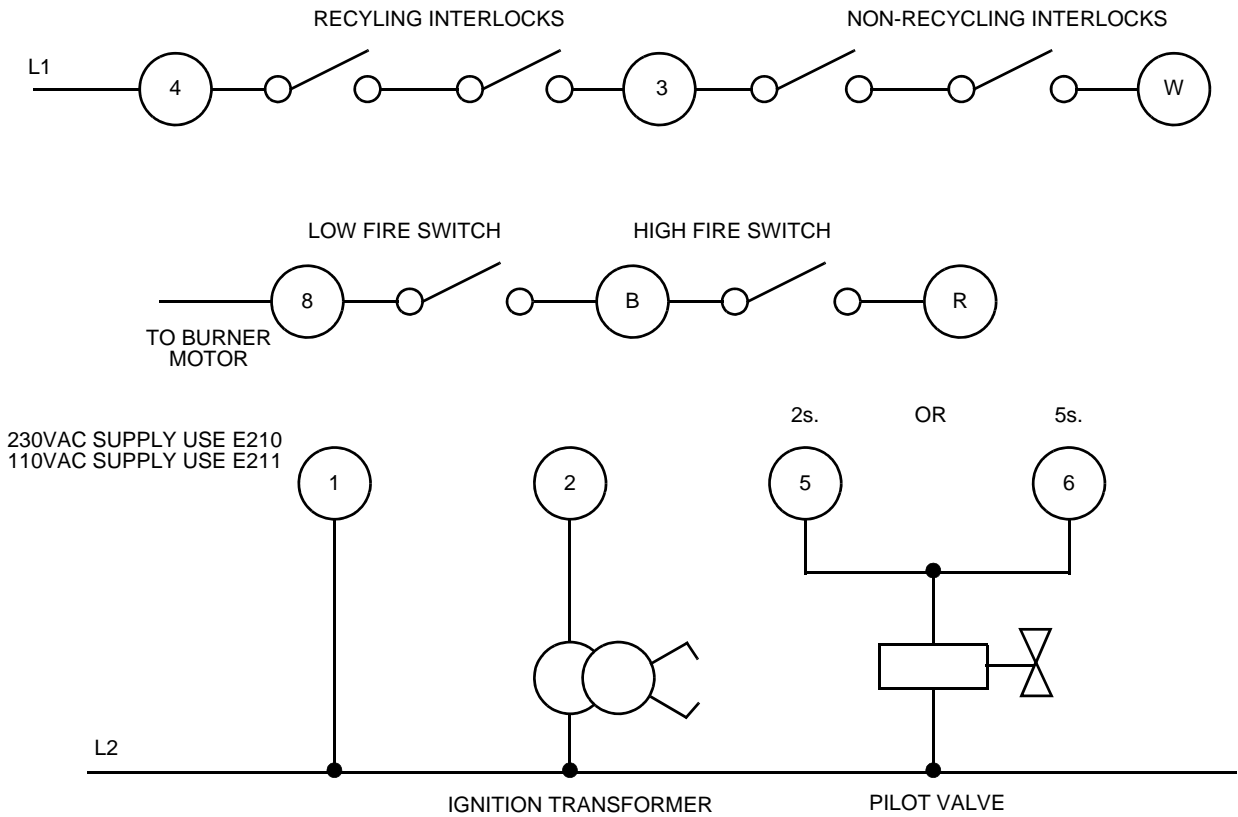




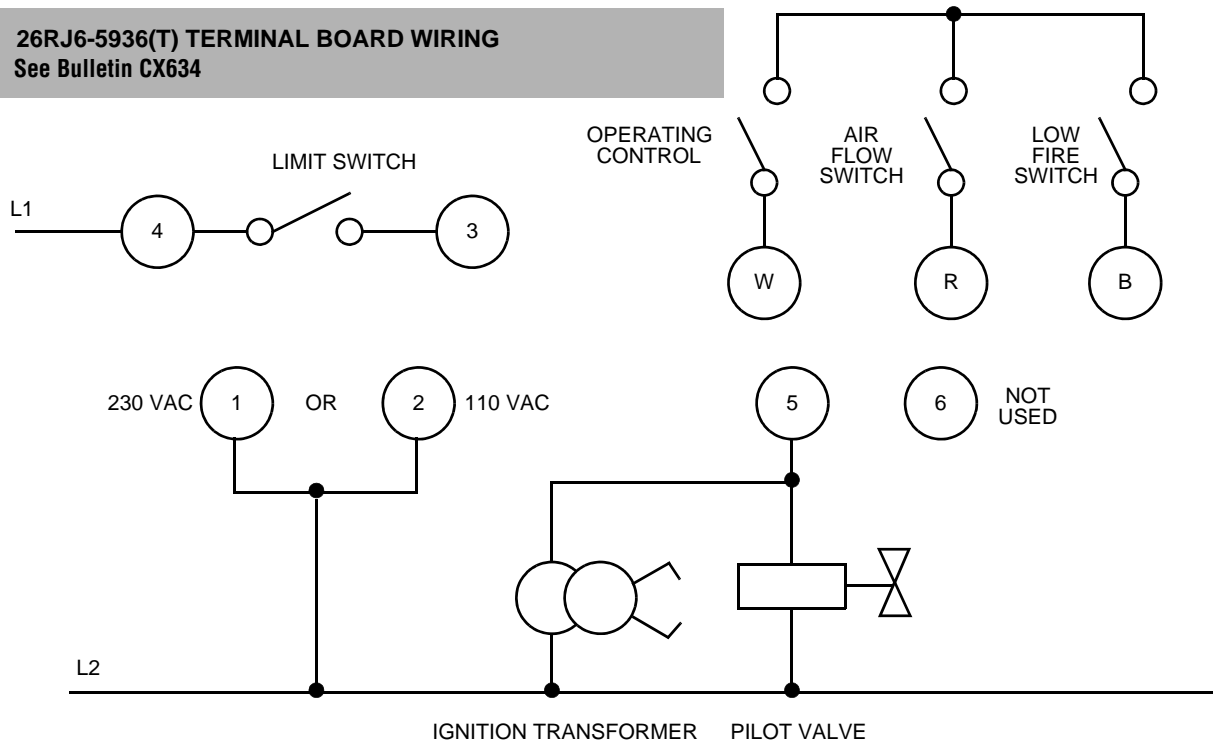
26RJ6-5936(T) TERMINAL BOARD WIRING
See Bulletin CX634



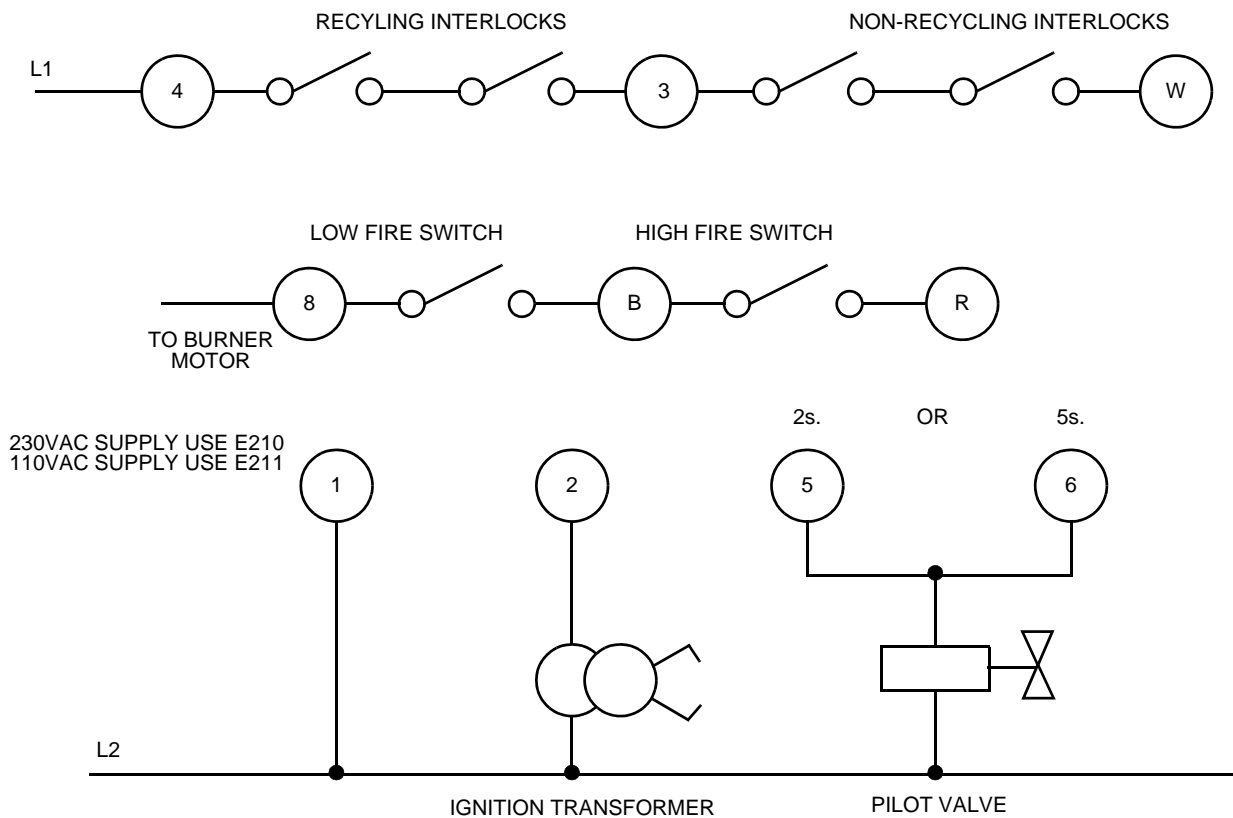
REWIRING TO FLAME-MONITOR E210/E211



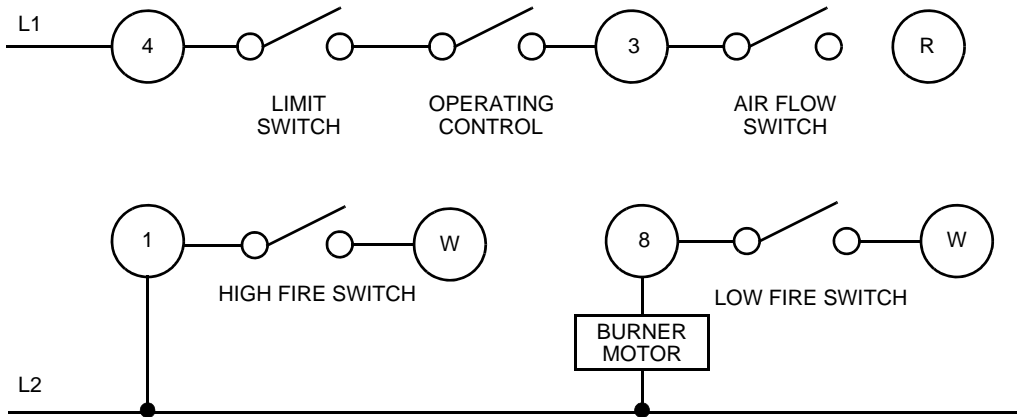
26RJ6-5936(T) TERMINAL BOARD WIRING
See Bulletin CX634



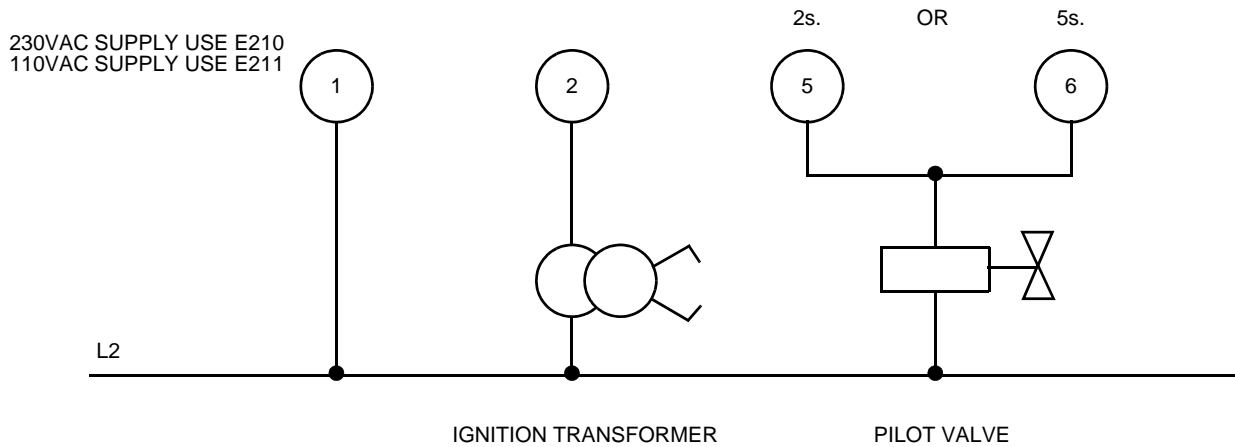
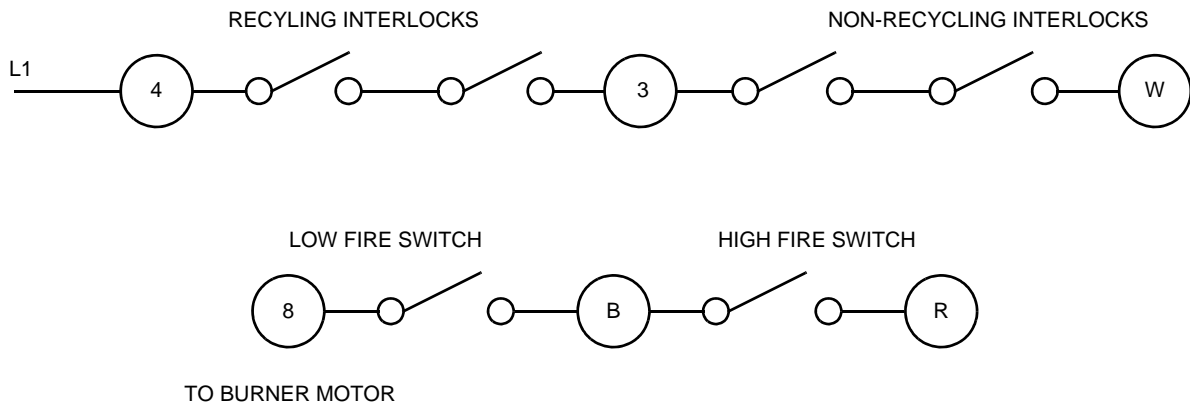
REWIRING TO FLAME-MONITOR E210/E211



TERMINAL BOARD WIRING 26RJ8-5873T-5874T-5875T-5876T
 See Bulletin CX652



REWIRING TO FLAME-MONITOR E210/E211



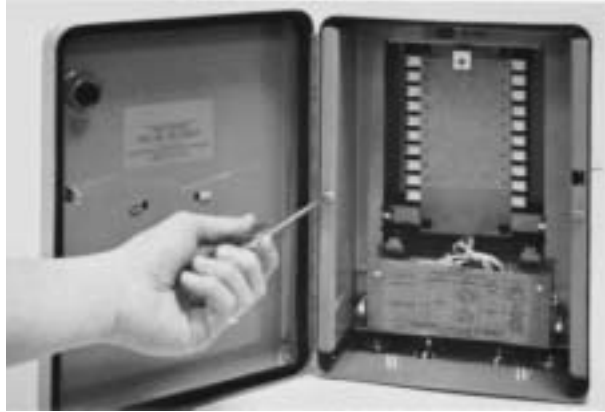


Installation Caution: Installer must be trained safety control technician. Verify the electrical power is disconnected before starting installation.

1. Loosen the two chassis retaining screws and remove the chassis from its enclosure. Note the chassis type and model number



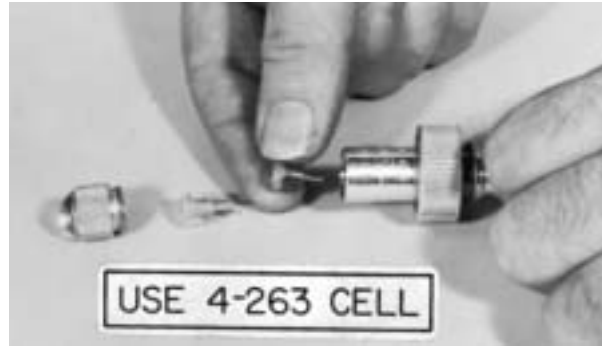
2. Note the typical circuit diagram figure for complete information. Rewire terminal board connections as shown for model replaced.
3. Install the Modernization Adapter and tighten the two retaining screws.



4. Assemble the control and modules and install the unit into Modernization Adapter. Tighten the chassis retainer



5. Replace the #4-128 Firetron cell in the scanner with the #4-263 Firetron cell. Attach the label supplied with the #4-263 Firetron cell, to the scanner body.

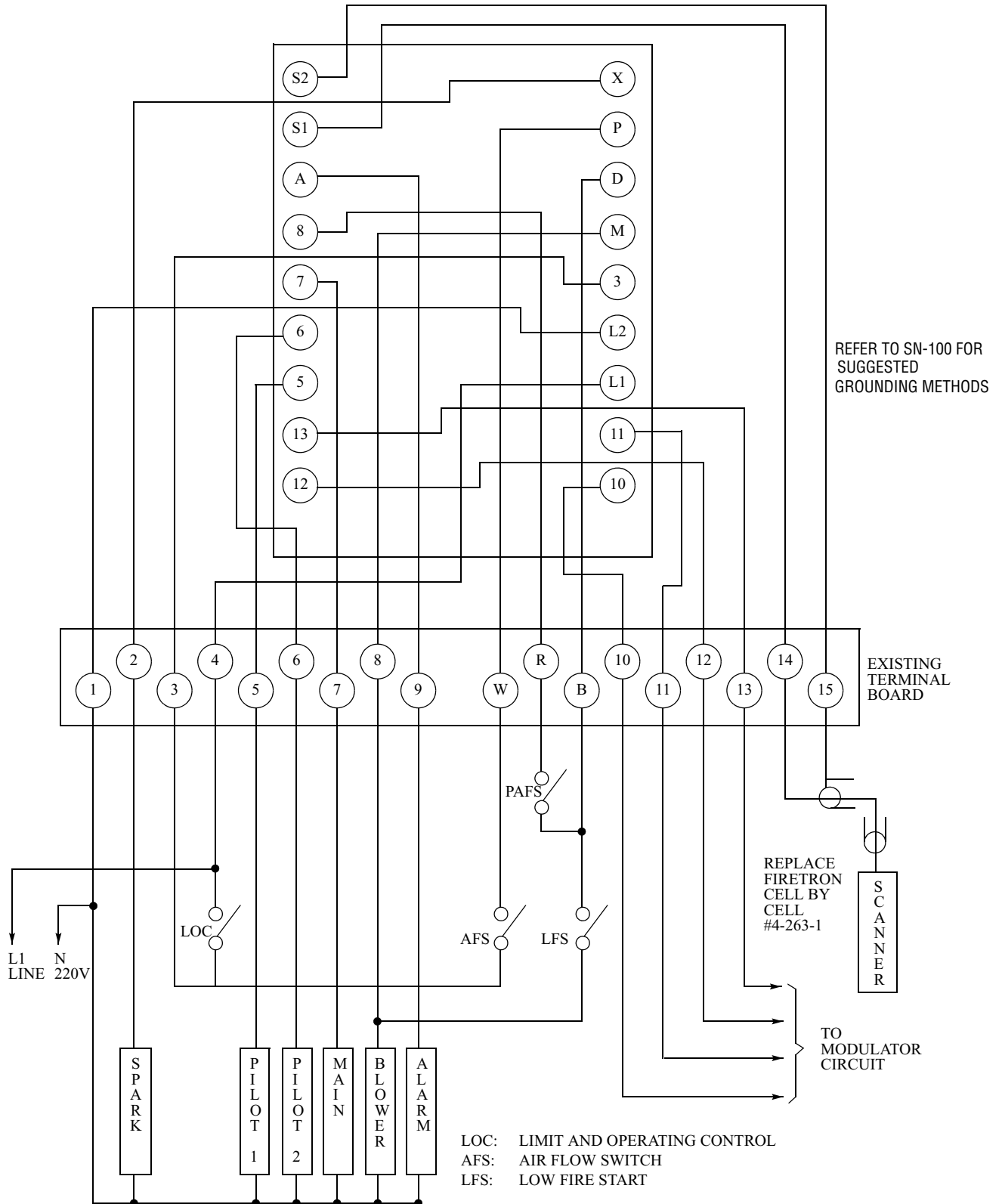


6. Referring to Fireye Bulletin E2101, turn the power on. Initiate a normal burner start-up and operational test as described for the E210/E211 Control Unit.

IMPORTANT: If your installation does not have one or more contacts shown in the wiring diagram, it is necessary that you install them on your burner in order to conform to European codes and regulations.

FIGURE 1.

Typical circuit diagram for modernizing a Fireye 26RJ8 installation using a 60-2060-14 Modernization Adapter with a Fireye Flame Monitor, comprised of E-210 Control on ED510 Display Module, EP113E, F, D, ES, SW or NL Programmer and E1R3 Amplifier.





NOTICE

When Fireeye products are combined with equipment manufactured by others and/or integrated into systems designed or manufactured by others, the Fireeye warranty, as stated in its General Terms and Conditions of Sale, pertains only to the Fireeye products and not to any other equipment or to the combined system or its overall performance.

WARRANTIES

FIREYE guarantees for *one year from the date of installation or 18 months from date of manufacture* of its products to replace, or, at its option, to repair any product or part thereof (except lamps, electronic tubes and photocells) which is found defective in material or workmanship or which otherwise fails to conform to the description of the product on the face of its sales order. **THE FOREGOING IS IN LIEU OF ALL OTHER WARRANTIES AND FIREYE MAKES NO WARRANTY OF MERCHANTABILITY OR ANY OTHER WARRANTY, EXPRESS OR IMPLIED.** Except as specifically stated in these general terms and conditions of sale, remedies with respect to any product or part number manufactured or sold by Fireeye shall be limited exclusively to the right to replacement or repair as above provided. In no event shall Fireeye be liable for consequential or special damages of any nature that may arise in connection with such product or part.



FIREYE™
3 Manchester Road
Derry, New Hampshire 03038 USA
www.fireeye.com

PFM-14
JUNE 30, 2005
Supersedes March 1999

