

# MODERNIZATION ADAPTER #60-2060-17

**Fireye Modernization Adapter # 60-2060-17 is a plug-in assembly, designed to assist with the replacement of the Fireye Control models listed below using a Type 25SU3 Model 5166/5168 Control.**



**WARNING: This bulletin is directed to the licensed boiler service technicians and professional combustion engineers who are experienced in the installation and operation of flame safeguard controls. Persons not experienced with flame and combustion controls should contact the nearest Fireye distributor, representative, or a qualified service group for assistance. Improper installation of these products may be hazardous to life and property.**

The opportunity now exists to upgrade your old reliable Fireye control to a new dependable self checking Fireye Type 25SU3 Model 5166/5168 Flame Safeguard Control with little or no rewiring. Refer to Bulletin CX-742E for important installation instructions.

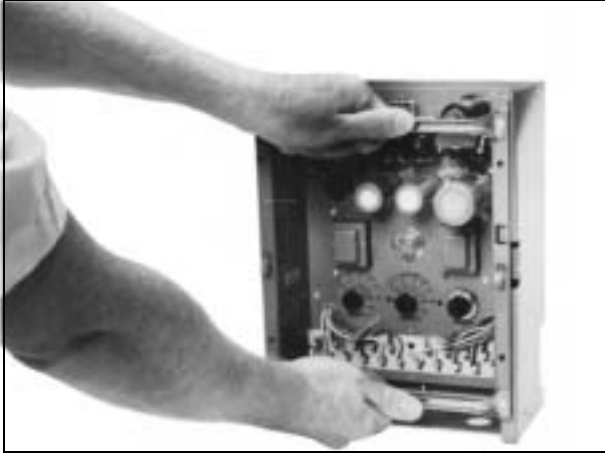
60-2060-17 Modernization Adapter		
Replaces	With Control Unit	Use Scanner
25SU3-4157	25SU3-5166, - 5168	45UV5-1101
25SU3-4158(T)	25SU3-5166, - 5168	45RM1-1003
25SU3-4166	25SU3-5166, - 5168	45RM2-1001
25SU5-4112(T)	25SU3-5166, - 5168	45RM4-1001
25SU5-4117	Plus Add an External Master Relay See Page 4 for wiring details	

## INSTALLATION



**WARNING: Installer must be a trained safety control technician. Verify that electrical power is disconnected before starting installation. Close the manual main fuel valve.**

1. Loosen the two chassis retaining screws and remove the chassis from its enclosure. Note the chassis type and model number.



2. Note the typical circuit diagrams figure for complete information. Following wiring documentation, see pages 3 and 4.

3. Install the Modernization Adapter and tighten the two retaining screws.



4. Insert modules in new Control chassis and install into Modernization Adapter. Tighten the chassis mounting screw.



5. Remove the connector board cover at the bottom of the chassis.

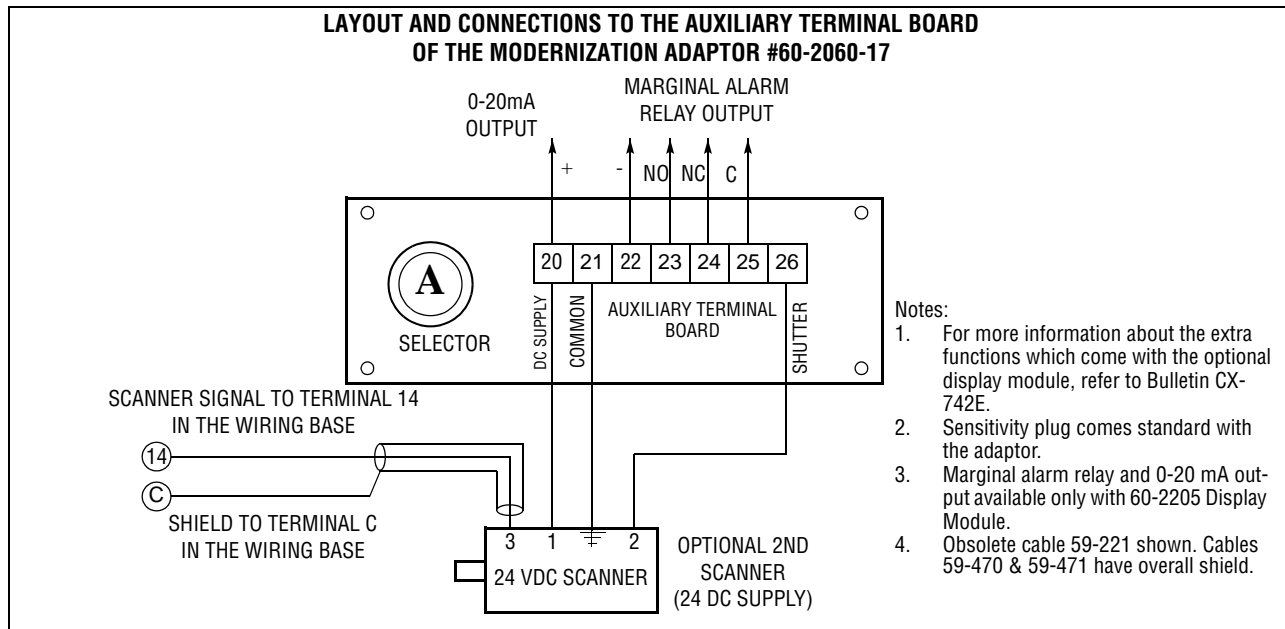
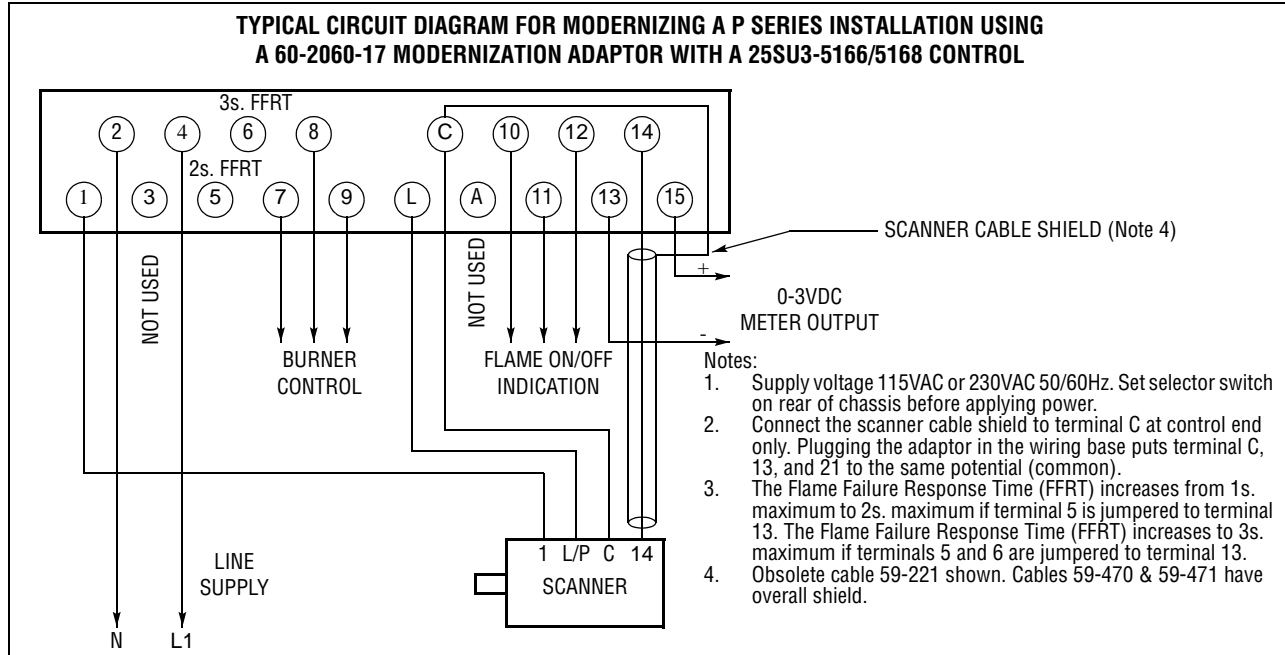


6. Plug the ribbon cable connector onto the left side of the connector board.



7. Re-install connector board cover.

8. Sensitivity A is used in single fuel applications and can be selected through the use of a shorting plug, supplied with the adapter, that plugs into the "Selector" socket located on the front panel. If alternate use of Sensitivity A and B is desired, an optional sensitivity selector plug with 6 ft. shielded cable, Fireye P/N 60-1519, is required to permit connection of an external switch.
9. Referring to Fireye Bulletin CX-742E, turn the power on. Initiate a normal burner start-up and operational test with the manual fuel valve **closed**. After you have assured yourself that operation is acceptable, open the manual main fuel valve and proceed with caution to complete the checkout.

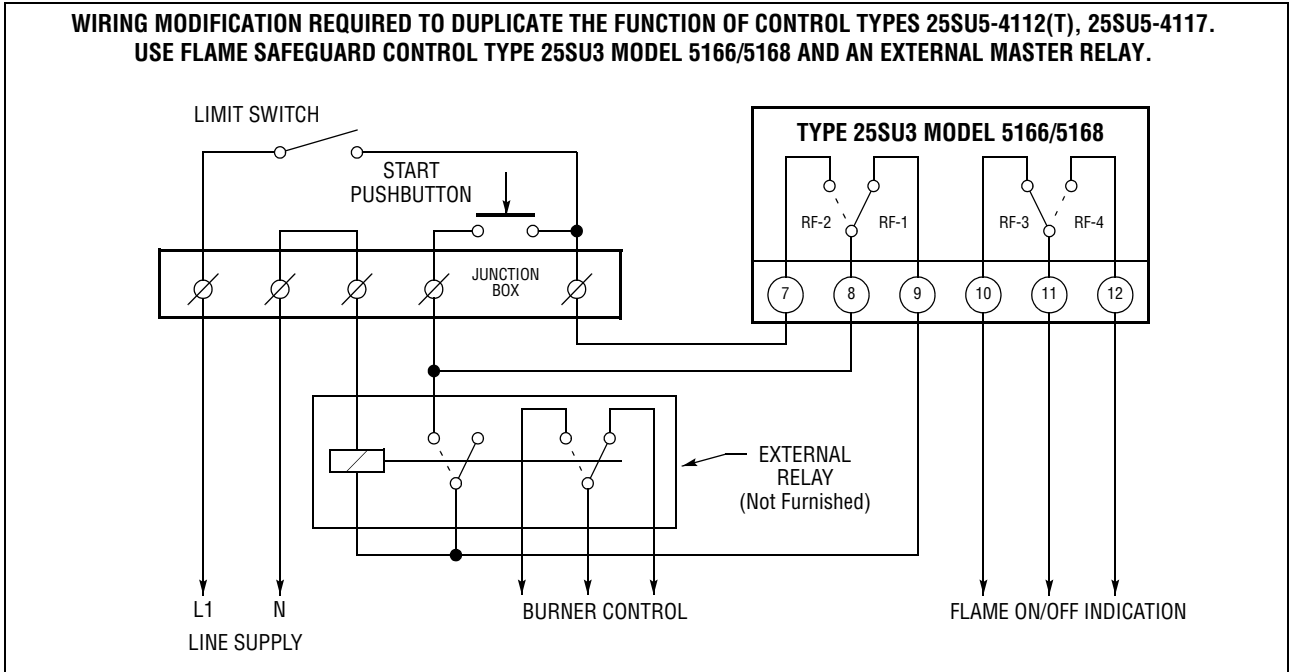


**CAUTION:** Do not wire scanners in parallel (see note below).

*Note:* When using line voltage scanners (45UV5, 45RM1 or 45RM2) you must not power more than one scanner from the same power (L) or shutter (1) terminal.

When two line voltage scanners are used, the power (L) and shutter (1) terminals must be switched via external circuitry.

If it is required that the two line voltage scanners be active simultaneously, instead of adapter P/N 60-2060-17, you must use wiring base P/N 60-2206-2 which is provided with separate terminals for the two scanners.



**NOTICE**

When Fireeye products are combined with equipment manufactured by others and/or integrated into systems designed or manufactured by others, Fireeye’s warranty, as stated in its General Terms and Conditions of Sale, pertains only to the Fireeye products and not to any other equipment or to the combined system or its overall performance.

**WARRANTIES**

FIREYE guarantees for *one year from the date of installation or 18 months from date of manufacture* of its products to replace, or, at its option, to repair any product or part thereof (except lamps, electronic tubes and photocells) which is found defective in material or workmanship or which otherwise fails to conform to the description of the product on the face of its sales order. **THE FOREGOING IS IN LIEU OF ALL OTHER WARRANTIES AND FIREYE MAKES NO WARRANTY OF MERCHANTABILITY OR ANY OTHER WARRANTY, EXPRESS OR IMPLIED.** Except as specifically stated in these general terms and conditions of sale, remedies with respect to any product or part number manufactured or sold by Fireeye shall be limited exclusively to the right to replacement or repair as above provided. In no event shall Fireeye be liable for consequential or special damages of any nature that may arise in connection with such product or part.



FIREYE™  
 3 Manchester Road  
 Derry, New Hampshire 03038  
 www.fireye.com

CX-743E  
 JANUARY 13, 2006  
 Supersedes March 2000

