



19MPS-2000 MULTI-PURPOSE POWER SUPPLY

DESCRIPTION

The 19MPS-2000 is a rack mounted power supply which operates on either 120 or 220 VAC input power (switch selectable - Factory set for 220 VAC operation), and provides supply voltage for two (2) 25SU3-2000 or -2100 amplifiers and up to four (4) low voltage (e.g. 45RM4, 45FS1, 45UVFS1) or line voltage (e.g. 45RM1, 45RM2, 45UV5) flame scanners in any combination. The 19MPS-2000 will fit into the Fireeye 19" full rack (P/N 60-2471-3), 19" half rack (60-2471-1), or surface mounted wiring rack (60-2530). When used with the 19" full or half rack (60-2471-3,-1), a 60-2481 or 60-2482 connector is required and must be ordered separately. A green LED indicates when power is applied to the 19MPS-2000 power supply.

ORDERING INFORMATION

P/N	Description
19MPS-2000	Multi-purpose power supply (120 or 220 VAC) (Factory set for 220 VAC operation).
60-2481	Screw terminal type connector for 19MPS-2000
60-2482	Spade terminal type connector for 19MPS-2000

SPECIFICATIONS

Electrical Electrical supply to the 19MPS-2000 is 120 or 220 VAC, 50/60 Hz.
Switch selectable. **(Factory set for 220 VAC operation).**
Maximum current output = 650 ma.

ENVIRONMENTAL

Storage Temp:	Minimum	- 4° F (-20° C)
	Maximum	176° F (80° C)
Operating Temp:	Minimum	- 4° F (-20° C)
	Maximum	140° F (60° C)
Humidity:	Maximum	85% Relative Humidity (Non-condensing).



SELECT INPUT VOLTAGE

The 19MPS-2000 power supply will operate on either 120 VAC or 220 VAC. Input voltage is selected by a blue slide switch (SW1) mounted on the printed circuit board near the face plate.



CAUTION: THE 19MPS-2000 POWER SUPPLY IS SHIPPED FROM THE FACTORY SET FOR 220 VAC OPERATION. To select 120 VAC operation, use a small screwdriver to move the blue slideswitch to the 120 VAC position (away from the faceplate).

INSTALLATION

For 60-2530: Slide the 19MPS-2000 multi-purpose power supply (if required) into the card guides on the far left slot of the 60-2530 wiring rack until the card mates with the connector mounted on the back of the wiring rack. Tighten the two screws on the top and bottom of the 60-2350 wiring rack to secure the power supply.

For 60-2471-1: The 19MPS-2000 will fit into the existing guide racks on the 19" half rack (60-2471-1). The 60-2481 or 60-2482 connector can be screwed into positions 4, 14, or 24. Tighten the two screws on the top and bottom of the 19" half rack to secure the power supply.

Note: The 60-2478 connector supplied with the half rack for use with the 25SU3-2000 amplifier is screwed into position 34.

For 60-2471-3: The 19MPS-2000 will fit into the existing guide racks on the 19" full rack (60-2471-3). The 60-2481 or 60-2482 connector can be screwed into positions 6, 16, 36, 46, or 56. Tighten the two screws on the top and bottom of the 19" full rack to secure the power supply.

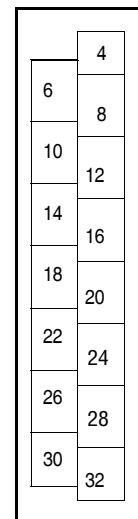
Note: The 60-2478 connector supplied with the full rack for use with the 25SU3-2000 amplifier is screwed into position 76.



CAUTION: DO NOT REMOVE THE 19MPS-2000 POWER SUPPLY MODULE WITH POWER APPLIED. THIS MAY RESULT IN POSSIBLE EQUIPMENT DAMAGE.

TERMINAL CONNECTIONS on 19MPS-2000

Terminal #	Function
4	+24 VDC Output (to 25SU3-2000, -2100 amplifiers).
16, 22, 24, 26 ¹	120VAC Output Power for Line Voltage Scanners (e.g. 45RM1, 45RM2, and 45UV5).
14, 18 ²	Common (return) for line voltage scanners, common (return) for 24VDC (to 25SU3-2000, -2100 amplifiers).
28	Neutral (L2)
30	120/220 VAC Input (L1). Fused for 400mA ³ .
32	Earth Ground
6, 8, 10, 12,	Not Used



60-2482
CONNECTOR

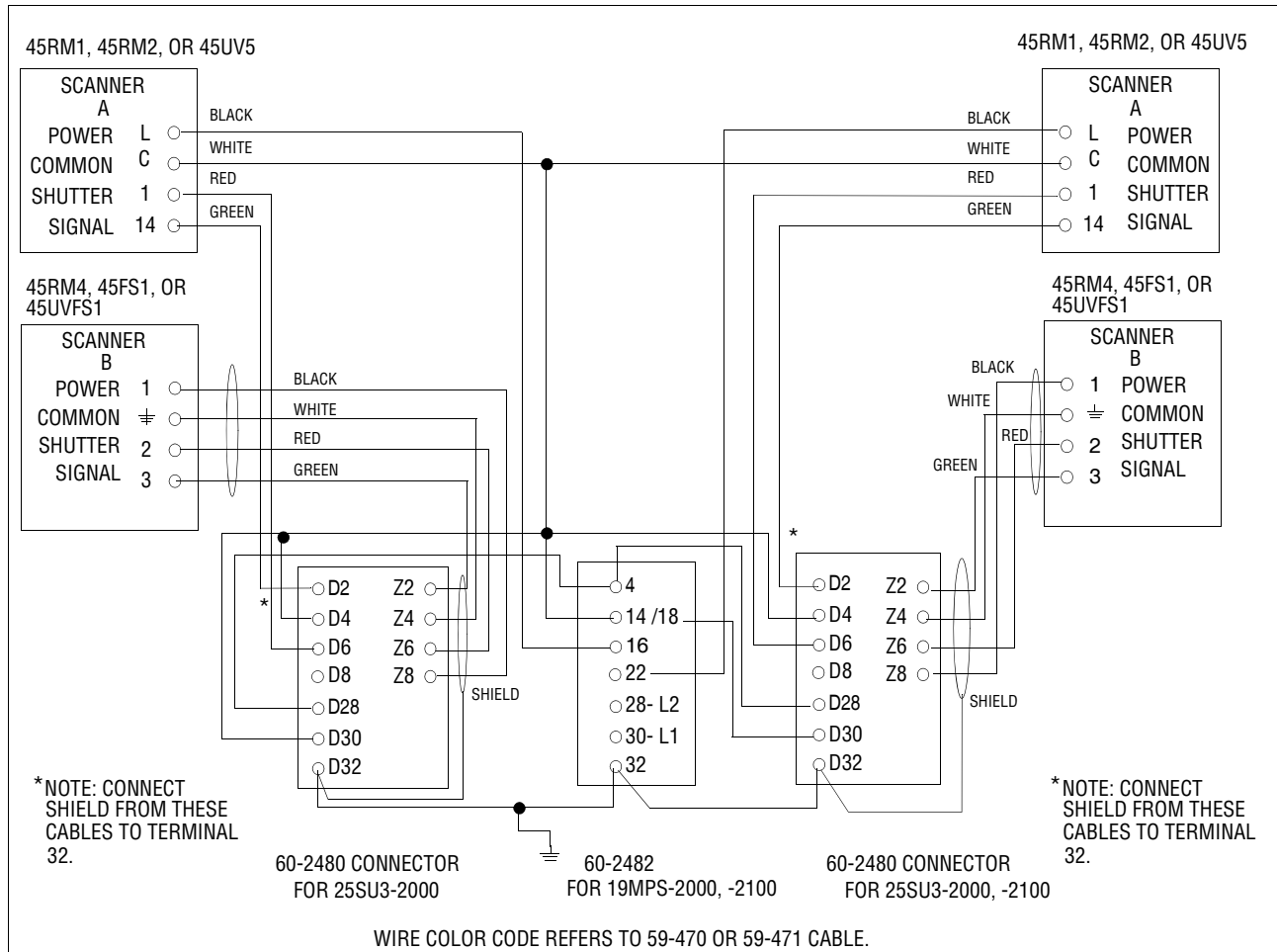
¹. Connect only one line voltage scanner to each terminal. (Power for the low voltage scanners is supplied via the 25SU3 amplifier).
². Terminals 14 and 18 are internally connected.
³. Replacement fuse Fireeye P/N 23-194 (Wickman TR 5 #19372-040-K).

WIRING CONNECTIONS

For 60-2530 (Surface Mount Rack): Follow the wiring connections detailed in Bulletin CU-44.

For 60-2471-1, -3 (19" Full or Half Rack): Use Figure 1 below.

FIGURE 1. 19MPS-2000 power supply to two (2) 25SU3-2000, -2100 amplifiers, each amplifier with one low voltage scanner (45RM4, 45FS1, or 45UVFS1) and one line voltage scanners (45RM1, 45RM2, or 45UV5).



Note: Terminals 24, 26, (power) and 18 (return) would be used when four (4) line voltage scanners are connected to the 19MPS-2000.

Refer to Bulletin CU-34 for complete wiring instructions of the 25SU3-2000, -2100 amplifier, scanner wiring combinations.

Connect all shields to earth ground.

L1=120 or 220 VAC (switch selectable). **FACTORY SET FOR 220 VAC OPERATION.**

Terminals 14 and 18 are internally connected.



CAUTION: WIRING SHOWN ABOVE IS NOT COMPATIBLE WITH CONNECTORS PREVIOUSLY WIRED TO RECEIVE POWER SUPPLIES 60-2470-1 AND 60-2470-2.



NOTICE

When Fireeye products are combined with equipment manufactured by others and/or integrated into systems designed or manufactured by others, the Fireeye warranty, as stated in its General Terms and Conditions of Sale, pertains only to the Fireeye products and not to any other equipment or to the combined system or its overall performance.

WARRANTIES

FIREEYE guarantees for *one year from the date of installation or 18 months from date of manufacture* of its products to replace, or, at its option, to repair any product or part thereof (except lamps, electronic tubes and photocells) which is found defective in material or workmanship or which otherwise fails to conform to the description of the product on the face of its sales order. **THE FOREGOING IS IN LIEU OF ALL OTHER WARRANTIES AND FIREEYE MAKES NO WARRANTY OF MERCHANTABILITY OR ANY OTHER WARRANTY, EXPRESS OR IMPLIED.** Except as specifically stated in these general terms and conditions of sale, remedies with respect to any product or part number manufactured or sold by Fireeye shall be limited exclusively to the right to replacement or repair as above provided. In no event shall Fireeye be liable for consequential or special damages of any nature that may arise in connection with such product or part.



FIREEYE
3 Manchester Road
Derry, New Hampshire 03038
www.fireeye.com

CU-45
APRIL 11, 2013
Supersedes August 4 2005