

60-2530 SURFACE MOUNT WIRING RACK



DESCRIPTION

The 60-2530 is a surface mount wiring rack for use with the 25SU3-2100 (or 25SU3-2000) amplifier. The 60-2530 wiring rack will hold two (2) 25SU3-2100 amplifiers and one (1) 19MPS-2000 multi-purpose power supply. The 19MPS-2000 operates on either 120 or 220 VAC input power, and provides supply voltage to both 25SU3-2100 amplifiers and up to four (4) low voltage (e.g. 45RM4, 45FS1, 45UVFS1) or line voltage (e.g. 45RM1, 45RM2, 45UV5) flame scanners in any combination. Refer to bulletin CU-45 for detailed information on 19MPS-2000.

Agency Approvals: FM, CSA

Note: FOR CSA APPROVAL, 60-2530 MUST be mounted in a CSA approved cabinet.

MOUNTING

Four (4) mounting holes on the mounting frame are provided on the 60-2530 wiring rack. Refer to Figure 1 for mounting dimensions.

Installation of amplifiers and power supply:

Slide the 19MPS-2000 multi-purpose power supply (if required) into the card guides on the far left slot in the wiring rack until the card mates with the connector mounted on the back of the wiring rack. Tighten the two screws on the top and bottom of the rack to secure the power supply.



WARNING: 19MPS-2000 power supply will operate on either 120 VAC or 220 VAC input. 19MPS-2000 is shipped from the factory set for 220 VAC operation.

Slide the 25SU3-2100 amplifier into the card guides in the middle or far right slot in the wiring rack until the card mates with the connector mounted on the back of the wiring rack. The amplifier in the middle slot is amplifier #1 (referenced on the wiring diagram), and the amplifier in the far right slot is amplifier #2 (referenced on the wiring diagram). Tighten the two screws on the top and bottom of the rack to secure each amplifier. A filler plate (1 per unused amplifier or power supply) can cover any unused space on the front of the wiring rack.

Wiring

Remove the two (2) screws to remove the cover of the wiring chamber. Four (4) openings (with caplets) are provided on the bottom of the wiring chamber that will accept two (2) 1/2" (PG 16) and two (2) 3/4" (PG21) strain relief/conduit connectors. Insert and depress a screwdriver into either the front or rear opening and insert the wire. See Figures 2 and 3. The connector will accept AWG 28 to AWG 12 gage wire (0.08 to 2.5mm).

ORDERING INFORMATION

P/N	Description
60-2530-1	Surface mount wiring rack (accommodates 2 amplifiers, 1 power supply).
60-2530-2	Surface mount wiring rack with clear hinged cover.
60-2490-10	Filler plate (covers an unused slot).

FIGURE 1. DIMENSIONS

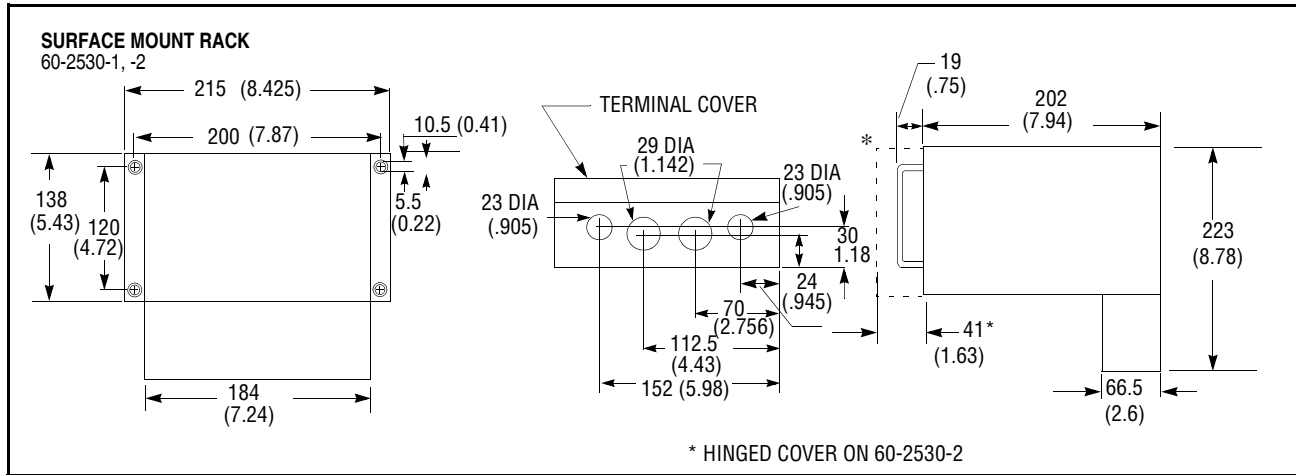


FIGURE 2. CONNECTION WITH "FRONT ENTRY"

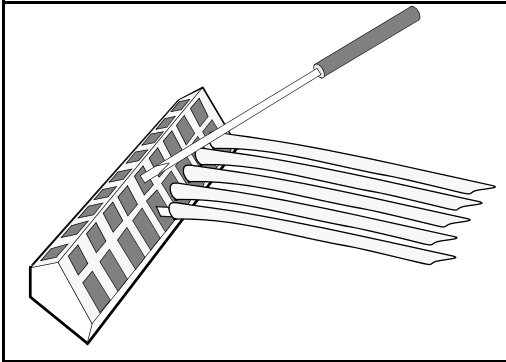


FIGURE 3. CONNECTION OF CONDUCTORS WITH "SIDE ENTRY"

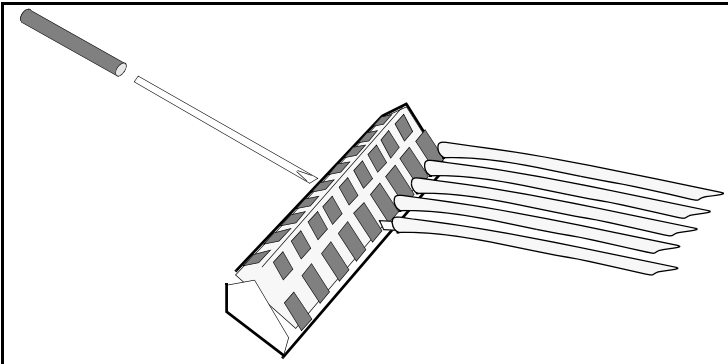
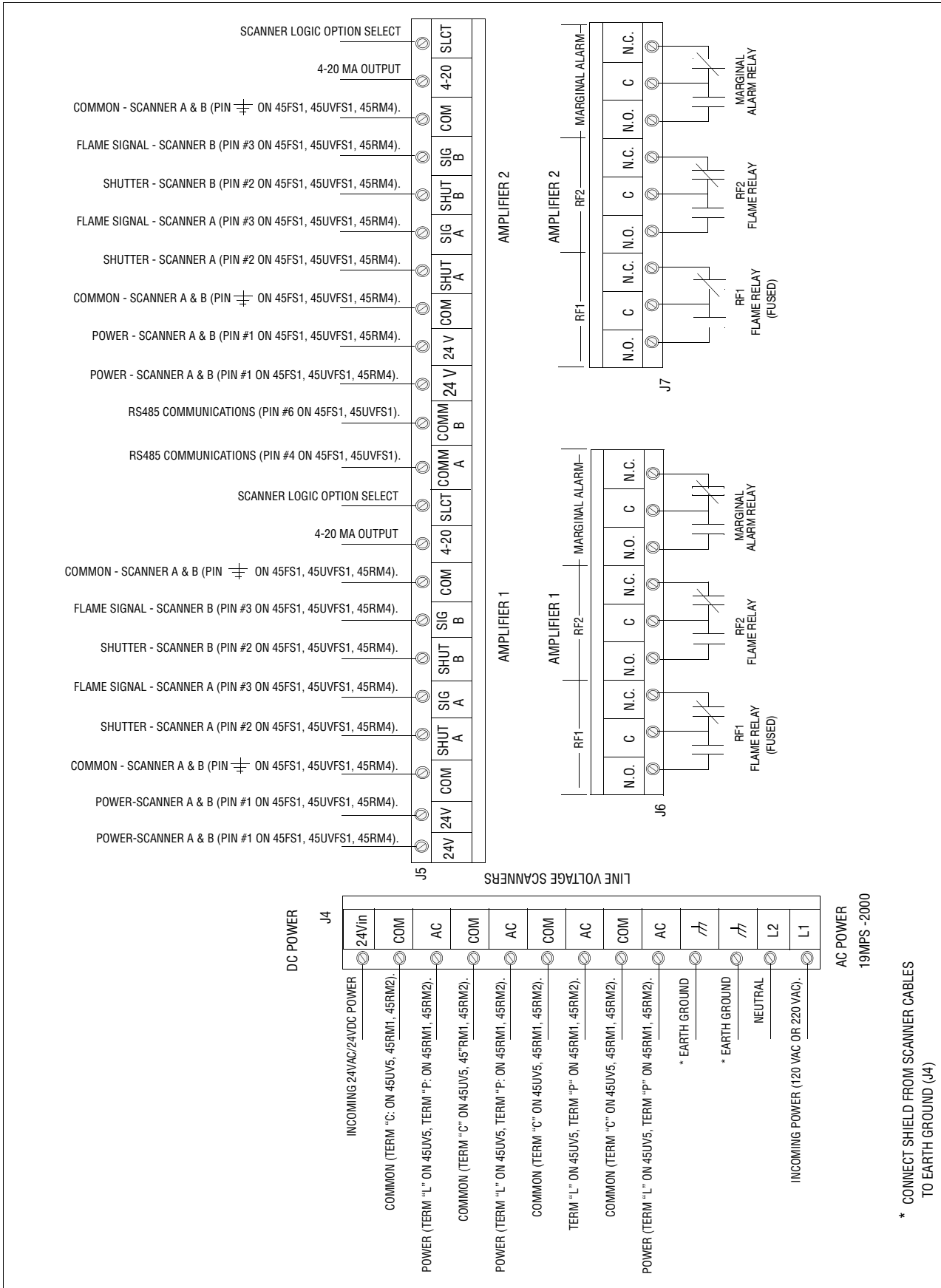




FIGURE 4. WIRING CONNECTIONS TO 60-2530



* CONNECT SHIELD FROM SCANNER CABLES TO EARTH GROUND (J4)

SCANNER WIRING COMBINATIONS

FIGURE 5. ONE LINE VOLTAGE, ONE LOW VOLTAGE SCANNER

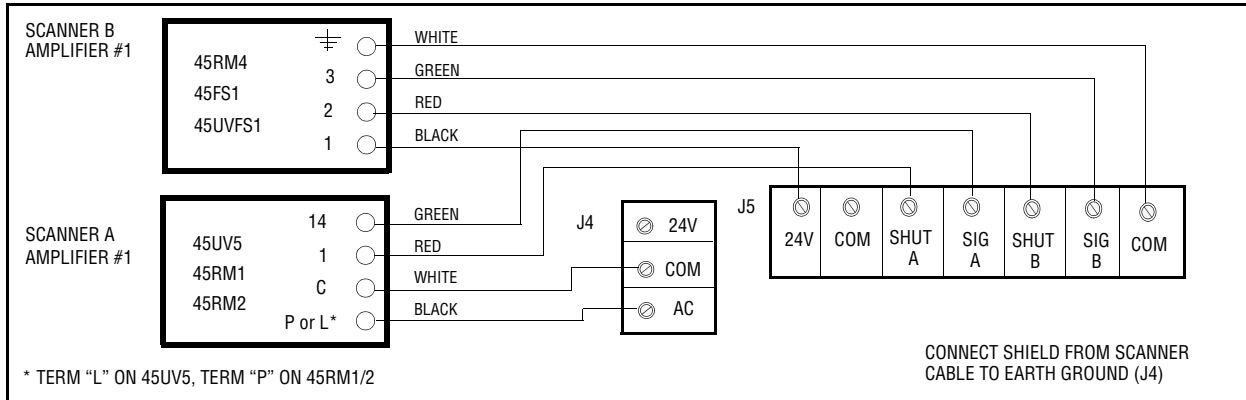


FIGURE 6. TWO LOW VOLTAGE SCANNERS

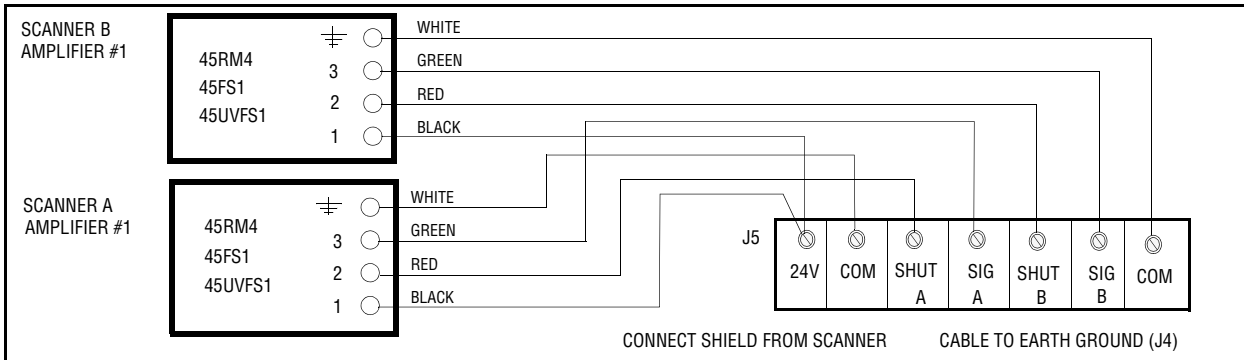
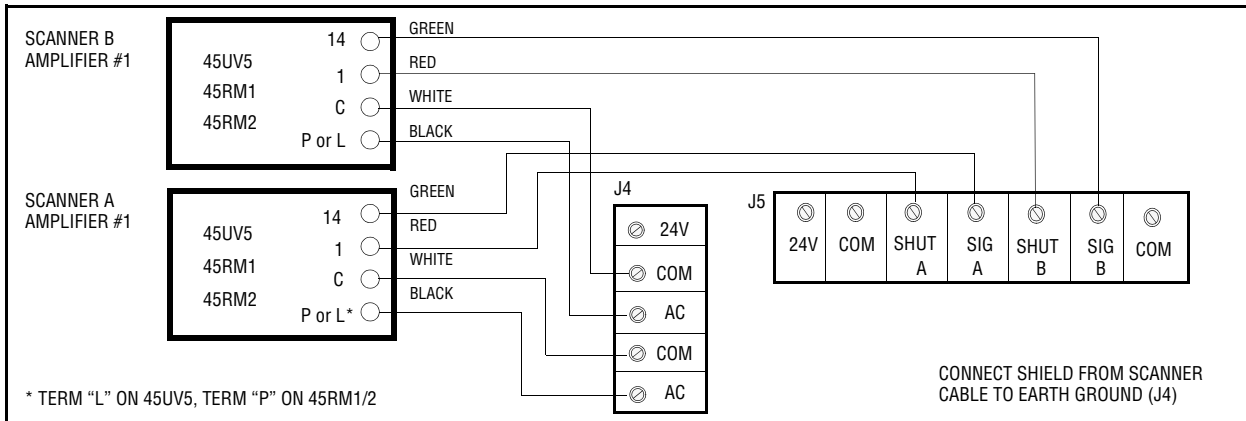


FIGURE 7. TWO LINE VOLTAGE SCANNERS



Wire color code refers to Fireeye cable Part Number 59-470 or 59-471.



FIREEYE
3 Manchester Road
Derry, New Hampshire 03038 USA
www.fireeye.com

CU-44
MAY 2, 2014
Supersedes April 11, 2013