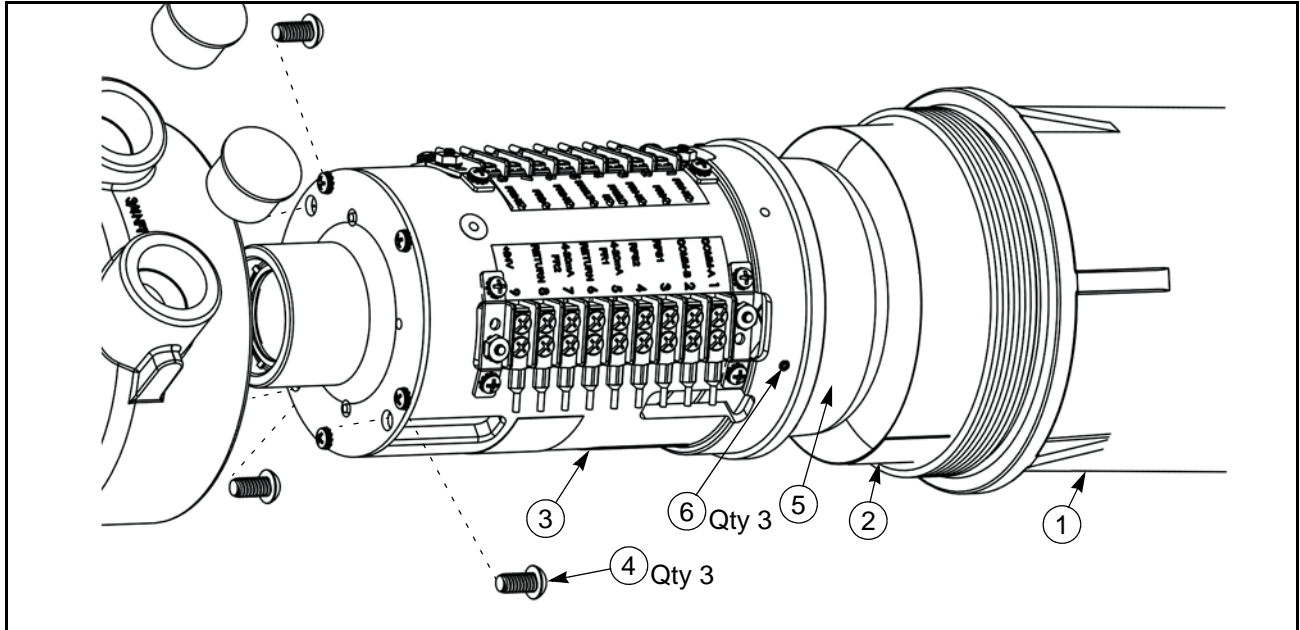


60-2938-2 Replacement Electronics Assembly for InSight II 95DSS3-1CEXSS and 95DSS3-1CEX-2

INSTALLATION INSTRUCTIONS



Removing the old Scanner Electronics Assembly

1. Turn off all electrical power to the InSight 95-Series CEX scanner.
2. Remove the CEX housing cover, (item 1).
3. Remove the mylar insulating sheet, (item 2) from the electronics or the housing cover, and set aside.
4. Record their location then disconnect the scanner cable wires from the two terminal strips on the electronics assembly, (item 3). (Refer to InSight II scanner bulletin CU-113 for complete wiring information.)
5. With a long 5/32" hex wrench (included), remove the three button head cap screws, (item 4) and remove the electronics assembly.
6. Remove the Display (item 5) from the electronics assembly after loosening the three set screws (item 6) approximately 1 1/2 turns each with a 1/16" hex wrench.
7. Carefully pull the Display away from the electronics assembly far enough to disconnect the display cable connector (not shown) from the scanner electronics assembly.

Installing the new Scanner Electronics Assembly

1. Connect the old display cable to the new replacement electronics assembly.
2. Install the Display (item 5) onto the electronics assembly (item 3), carefully aligning the notch in the Display with the key in the electronics assembly.
3. Make electrical cable connections on terminal numbers 8,9 (9pin term) and 8 (8pin term), When using the CEX housing.
4. Secure the Display to the housing by tightening the three set screws (item 6) with a 1/16" hex wrench.



5. Position the new scanner electronics assembly into the CEX housing base.
6. Align the three button head cap screws (item 4) with the threaded holes in the CEX housing base and torque to 30 inch-pounds (3.39 Newton-meters) with a 5/32" hex wrench
7. Reconnect the scanner cable wires to the two terminal strips on the electronics assembly.
8. Position the original mylar insulating sheet (item 2) around the electronics and reinstall the CEX housing cover (item 1).

NOTICE

When Fireeye products are combined with equipment manufactured by others and/or integrated into systems designed or manufactured by others, the Fireeye warranty, as stated in its General Terms and Conditions of Sale, pertains only to the Fireeye products and not to any other equipment or to the combined system or its overall performance.

WARRANTIES

FIREYE guarantees for *one year from the date of installation or 18 months from date of manufacture* of its products to replace, or, at its option, to repair any product or part thereof (except lamps, electronic tubes and photocells) which is found defective in material or workmanship or which otherwise fails to conform to the description of the product on the face of its sales order. **THE FOREGOING IS IN LIEU OF ALL OTHER WARRANTIES AND FIREYE MAKES NO WARRANTY OF MERCHANTABILITY OR ANY OTHER WARRANTY, EXPRESS OR IMPLIED.** Except as specifically stated in these general terms and conditions of sale, remedies with respect to any product or part number manufactured or sold by Fireeye shall be limited exclusively to the right to replacement or repair as above provided. In no event shall Fireeye be liable for consequential or special damages of any nature that may arise in connection with such product or part.



FIREYE®
3 Manchester Road
Derry, New Hampshire 03038 USA
www.fireeye.com

133-758
MAY 15, 2015
supersedes October 9 2013